



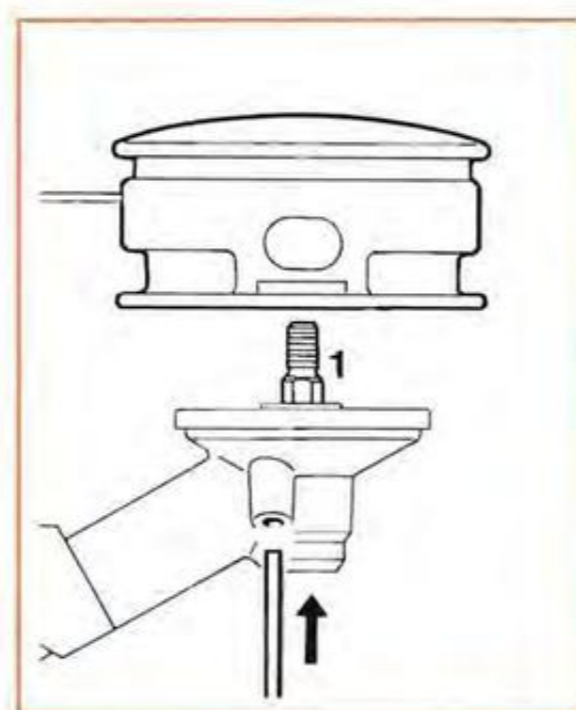
Download from  
**Dreamstime.com**

This watermarked comp image is for previewing purposes only.

ID 35103813

© Yulia Gapeenko | Dreamstime.com

[Stihl Autocut 10.11 Manual Pdf](#)

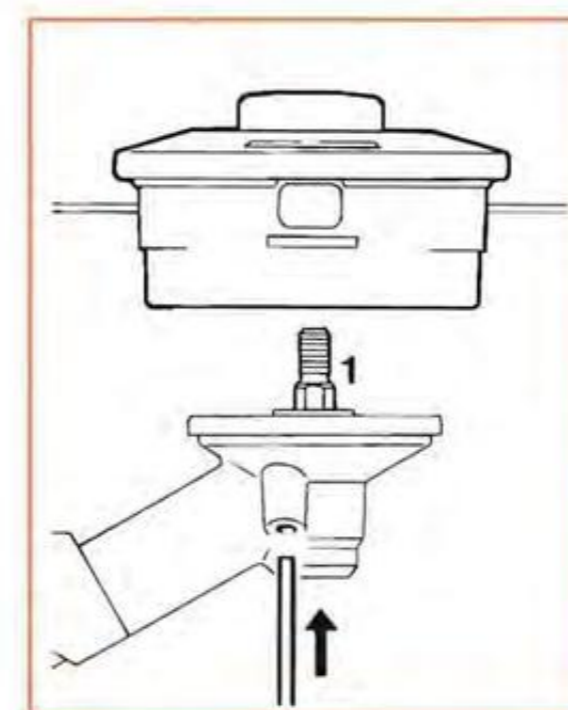


**STIHL Supercut 2-2  
 STIHL Supercut 20-2**

- Lay your brushcutter on its back with the gear head facing up.
  - Screw mowing head counterclockwise onto the output shaft (1) - as far as it will go.
  - Block the output shaft.
  - Tighten down the mowing head securely.
- Important!**  
 Remove the stop pin.

**Keep instruction sheet for mowing head in a safe place.**

26



**STIHL Autocut 25-2  
 STIHL Autocut 30-2**

- Lay your brushcutter on its back with the gear head facing up.
  - Screw mowing head counterclockwise onto the output shaft (1) - as far as it will go.
  - Block the output shaft.
  - Tighten down the mowing head securely.
- Important!**  
 Remove the stop pin.

**Removing mowing head**

- Block the output shaft.
- Unscrew mowing head clockwise.

**Keep instruction sheet for mowing head in a safe place.**

[Stihl Autocut 10.11 Manual Pdf](#)



Download from  
**Dreamstime.com**

This watermarked comp image is for previewing purposes only.



ID 35103813

© Yulia Gapeenko | Dreamstime.com

---

**stihl autocut manual**

stihl autocut manual, stihl autocut c 26-2 manual, stihl autocut 25-2 manual, stihl autocut c6-2 manual, stihl autocut c 25-2 manual, stihl autocut 5 10 11 manual, stihl autocut 46-2 manual, stihl autocut 36-2 manual, stihl autocut c4-2 manual, stihl autocut c5-2 manual, stihl autocut instructions, stihl autocut cs2 manual, stihl autocut 26-2 manual, stihl autocut c26-2 manual

**stihl autocut 25-2 manual**

**stihl autocut c 25-2 manual**

624b518f5d